



hazen.ai

HazenVISTA Pro is powered by Hazen.ai's proprietary Core3D Engine, which provides best-in-class AI accuracy and reliability. The edge-powered all-in-one camera can be configured for multiple applications, including traffic violation monitoring, seat-belt and mobile phone use enforcement, parking lot management, and access control.

The camera's AI-powered features can help to detect and deter dangerous driving behaviors, such as speeding, red-light running, and distracted driving. The camera can also be used to enforce seat-belt and mobile phone use laws, which can help to reduce traffic fatalities and injuries.



Key Features

- Powered by Hazen's Core3D Technology
- Embedded with high performance Nvidia GPU at its core
- Motorized Lens
- Ruggedized Industrial Design

Applications



FreeFlow ALPR

License plate reading with plate category detection and basic classification



VEHICLE COUNTING

Vehicle counting and classification from a road side or Gantry view.



BANNED TURNS

Incorrect lane for turning, Queue jumping, Illegal turns, Chevron crossing, Wrong-way



SEAT-BELT COMPLIANCE

Not wearing seat-belt while driving, coverage from road-side view-point, low false positive rate



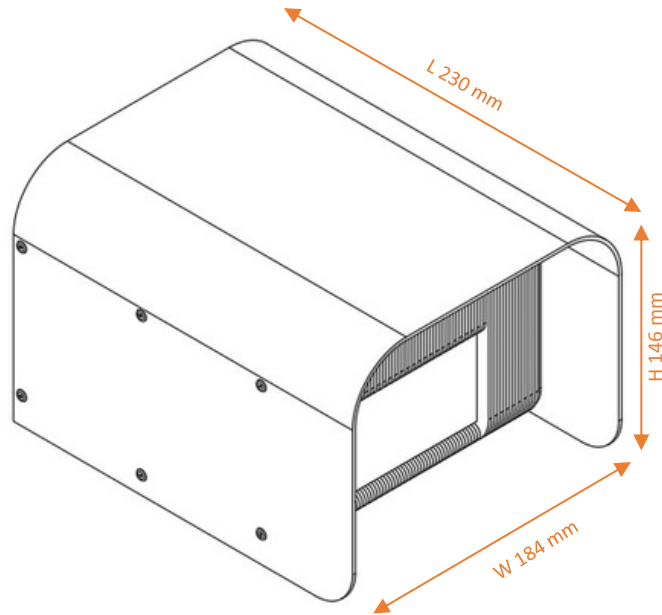
AVERAGE SPEED

High accuracy and flexible deployment, with exceptionally high infraction-capture rate



DISTRACTED DRIVING

Using mobile phone while driving, coverage from road-side view-point, low false positive rate



<p>Computing Stack</p> <p>AI Processor: NVIDIA® Jetson Orin™ NX</p> <p>Memory: 16GB LPDDR4x</p> <p>Storage: 250GB SSD</p>
<p>Mechanical</p> <p>Dimensions (L x W x H): 230mm x 184mm x 146mm</p> <p>Weight: 4.7Kg</p> <p>Operating Temperature: 0 - 60°C</p> <p>IP Rating: IP67</p> <p>IK Rating: IK10</p> <p>Housing Material: Aluminium body with anodized surface</p>
<p>Electrical</p> <p>Input Voltage: 24V DC</p> <p>Power Consumption: 34W Average, up to 40W with full load</p> <p>Connectivity: Gigabit Ethernet</p> <p>Input / Outputs: IR Tigger-Out, RS485, 3x Digital Input & 1x Output</p>

<p>Camera Sensor</p> <p>Default: Global shutter, Color Sony, 8.9 MP, 32FPS, 4096 x 2176 pixel</p> <p>Optional: Global shutter, Color Sony, 16.1 MP (45Fps) - 5328 x 3040, 8 MP (70Fps) - 4000 x 2000</p>
<p>Lens Configuration</p> <p>25mm / 35mm / 50mm fixed focal length</p> <p>Motorized Focus, Manual Iris, IR corrected</p>
<p>Warranty</p> <p>Standard: 1 year warranty</p>
<p>Certifications</p> <p>CE & FCC</p>
<p>Accessories</p> <p>Cable: 25m cable with aviation connector</p> <p>Mounting: Omni-directional pole mount</p>

All product names, logos, and brands are property of their respective owners. All company, product and service names used in this datasheets are for identification purposes only. Use of these names, logos, and brands does not imply endorsement.